

Chip Inductors

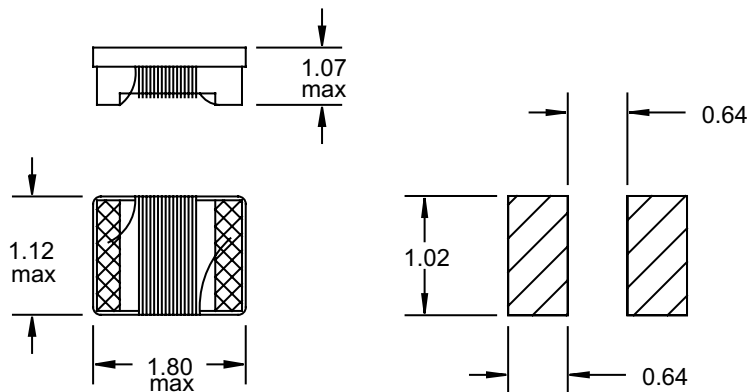
Special Features

- Ceramic core, wire wound for superior reliability
- High self-resonant frequency
- Very stable electrical characteristics
- Flat top surface for automated pick & place
- Operating temperature -40 to +125°C
- Current to cause approx. 15°C of temperature rise
- Tape & reel packaged 3000/reel

Typical Applications

- Small cellular phones
- PDA
- Pagers
- Handheld organizers
- High frequency wireless communication devices
- Laptop computers
- Network cards
- Industrial electronics
- Entertainment electronic devices

PM0603 Series							
Part Number	L (nH) ± 0.3 nH	Q Min	Test Freq. (MHz)	Q Typ. @ 900MHz	SRF (MHz) Min.	DCR (Ω) Max.	I _{dc} (mA)
PM0603-2N2	2.2	18	250	38	6900	0.08	700
PM0603-3N9	3.9	22	250	48	6900	0.08	700
PM0603-4N7	4.7	20	250	47	5800	0.13	700
	± 5%						
PM0603-6N8J	6.8	28	250	60	5800	0.11	700
PM0603-8N2J	8.2	30	250	62	4600	0.11	700
PM0603-10NJ	10	30	250	60	4800	0.15	700
PM0603-12NJ	12	30	250	65	4000	0.13	700
PM0603-15NJ	15	35	250	69	4000	0.17	700
PM0603-18NJ	18	35	250	75	3100	0.17	700
PM0603-22NJ	22	38	250	70	3000	0.19	700
PM0603-27NJ	27	40	250	75	2800	0.23	700
PM0603-33NJ	33	43	250	78	2300	0.23	600
PM0603-39NJ	39	43	250	60	2200	0.25	600
PM0603-47NJ	47	40	200	65	2000	0.28	600
PM0603-56NJ	56	40	200	65	1900	0.31	600
PM0603-68NJ	68	40	200	55	1700	0.34	600
PM0603-72NJ	72	35	150	53	1700	0.49	400
PM0603-82NJ	82	35	150	55	1700	0.54	400
	(uH)						
PM0603-R10J	0.10	35	150	50	1400	0.58	400
PM0603-R12J	0.12	35	150	40	1300	0.65	300
PM0603-R15J	0.15	30	150	28	990	0.92	280
PM0603-R18J	0.18	30	100	22	990	1.25	240
PM0603-R22J	0.22	30	100	20	990	2.10	200
PM0603-R27J	0.27	30	100	10	990	2.30	170



Pad Layout

Dimensions: mm

J.W. Miller
M A G N E T I C S

306 E. Alondra Blvd., Gardena, CA 90247-1059 • (310) 515-1720 • FAX (310) 515-1962

www.jwmiller.com